

EU Declaration of Conformity

Manufacturer's Name Astec International Limited
and Address: 16th Floor, Lu Plaza, 2 Wing Yip Street,
Kuwun Tong, Kowloon, Hong Kong
Tel: (63) 995-4000
Fax: (63) 995-4050

Authorized Representative Mr. Istvan Fazekas
and Address: Astec Europe Ltd (Austrian Branch)
Campus 21
Liebermannstraße F15 201
2345 Brunn am Gebirge
Austria

Product: Switching Power Supply
Type designation: uMP04X-XXX-XXX-XXX-XXX-XX
(See General Product Information for details)

The designated product is in conformity with:

A: The European LVD directive **2014/35/EU** as attested by conformity with the following harmonized standard(s):

EN 62368-1:2014/A11:2017 Safety of Information Technology Equipment

B: This product is in conformity with the European RoHS directive **2011/65/EU** as amended by **(EU) 2015/863** and as attested by conformity with the following harmonized standard(s):

EN IEC 63000:2018 Technical documentation for the assessment of electrical and electronic products with respect to the restriction of hazardous substances.

This declaration is under the sole responsibility of the manufacturer.

Year of CE marking: 2016

For and on behalf of
ASTEC INTERNATIONAL LIMITED



Melson Torrijos

Philippines

(Place)

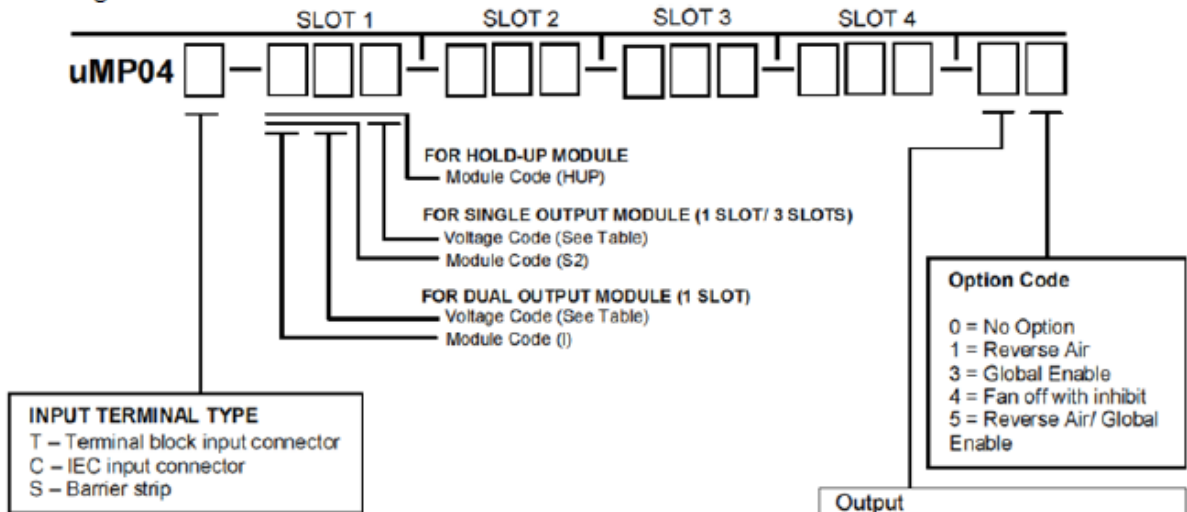
Rev 02: 23 Feb 2021

(Date)

Manager
Agency Compliance Engineering

General Product Information

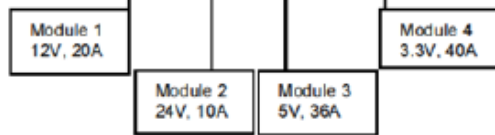
Model configuration of uMP04X-XXX-XXX-XXX-XXX-XX series:



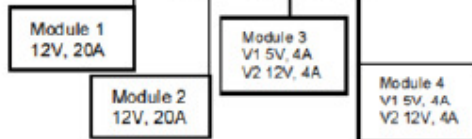
Output

Parallel codes	4	3	2	1
1=1&2	•	•	—	•
2=2&3	•	—	•	•
3=3&4	—	•	•	•
6=1,2&3	•	—	—	•
7=1,2,3&4	—	—	—	•
A=1&2,3&4	—	—	—	—
0=No module in parallel	•	•	•	•

Example 1: **uMP04T-S2L-S2Q-S2E-S2D-00**



Example 2: **uMP04T-S2L-S2L-IEL-IEL-00**



Example 4: 11V, 22A; Module code - **S2K** Output Voltage Code

Example 5: V1 5.0V, 4A; V2 12.0V, 4A; Module Code - **IEL** Output Voltage Code